

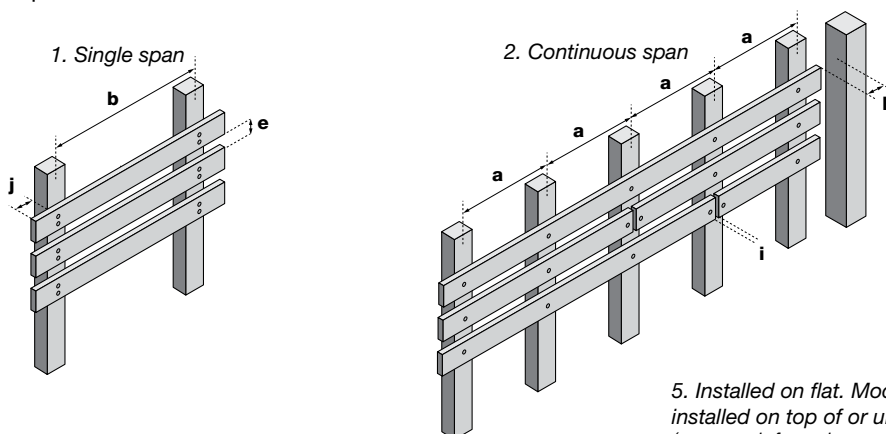
## The Sustainable Alternative

### Fixing Instructions for ModWood as Screening

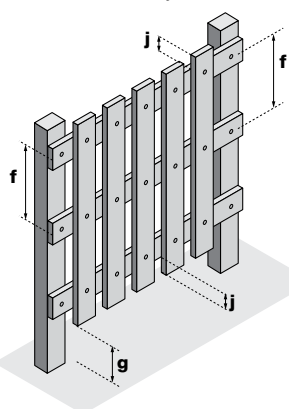
The following information provides guidance on installation for screening and fencing applications. Please note ModWood is designed for cosmetic screening not barrier or rail applications. As we cannot cover all situations should you have any specific questions with regards to your installation please contact ModWood directly by phone on (03) 9357 8866 or email [info@modwood.com.au](mailto:info@modwood.com.au)

	68x17mm	88x23mm	137x23mm
Number of fasteners per upright	♦1	2	2
<b>a</b> Continuous (mm)* Centre to centre span (ModWood installed on edge)	800+	1500	1500
<b>b</b> Single (mm)* Centre to centre span (ModWood installed on edge)	800	800	800
<b>c</b> Centre to centre span (ModWood installed on flat) (mm)	250	450	450
<b>d</b> Minimum clearance from wall (mm)*	45	45	45
<b>e</b> Minimum side by side gap (mm)*	8	8	8
<b>f</b> Boards installed vertically* - max. distance between rails (mm)	800+	1500	1500
<b>g</b> Minimum ground clearance (mm)	150	150	150
<b>h</b> Minimum clearance at board end from fixed structure (mm)	6	6	6
<b>i</b> End butt gap (mm)	2	2	2
<b>j</b> Maximum overhang (mm)	25	50	50

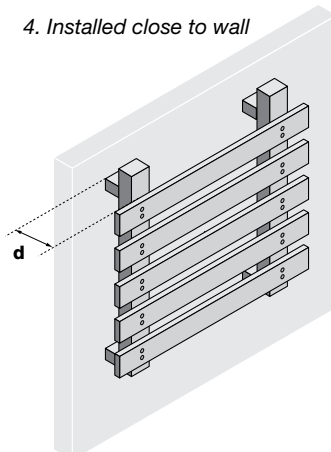
♦Single span use 2 fasteners



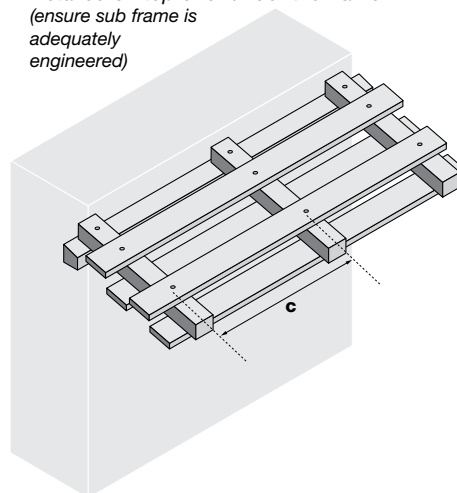
3. Installed vertically



4. Installed close to wall



5. Installed on flat. ModWood can be installed on top of or under the frame. (ensure sub frame is adequately engineered)



## The Sustainable Alternative

### Typical Fastenings used with ModWood

#### Up to 23mm thick boards

*Fixing to timber* - 8 gauge x 50mm countersunk head screws

- 2.8mm x 50 mm dome head<sup>^</sup> twist shank nails

*Nail guns<sup>^</sup>* - C2.5 x 52 Dome R Coil Nails (Ring shank for softwood)

- C2.5 x 52 Dome S Coil Nails (Screw shank for hardwood)

*Fixing to steel* - 10 Gauge x 40mm self tapping 'tek' screws - non wing tek

Check that fastener is suited for the site conditions.

Nail gun not preferred method.

### ModWood thermal expansion properties – fixing tip

The temperature of a ModWood board sitting in full sun for a length of time is approx. 20-25°C warmer than the ambient air temperature.

As ModWood expands in heat and sun, to avoid building stress into your screen and having possible lengthways shrinkage, it is best to fix your screening boards when the ambient temperature is less than 25°C and when the boards are not sitting in full sun (see “coefficient of thermal linear expansion” on our website.) It is important not to leave boards laying in full sun for long periods of time prior to installation. Conversely fixing screening boards in ambient temperatures significantly colder than the average mean temperature for your region may lend to increased deflection during warmer periods.

### ModWood installed with KlevaKlip concealed fixing system

#### ModWood must not be installed over head with KlevaKlip i.e. ceiling or soffit applications.

\*If ModWood is installed using the KlevaKlip concealed fixing system this allows a 4 mm side by side gap which is acceptable provided:-

- minimum clearance from wall must be at least 150mm and the upright span must be reduced to 800mm centres for continuous or single span installations.

Maximum height of the screen from ground level if KlevaKlip system used is 2400mm.

Where butt joints are required with KlevaKlip system - doubling the posts and clips are required at these points.

Refer to KlevaKlip website for fixing and adhesive instructions: [www.klevaklip.com.au](http://www.klevaklip.com.au)

<sup>^</sup> Do not use nails for 137mm board

### General

- Pre-drilling and countersinking is always essential.
- Fixing too close to board end may cause splitting - no closer than 15mm and no closer than 20mm from edge. Do not overdrive fasteners.
- The hole drilled should be slightly greater than the 'outside diameter' of the screw thread.
- Screw down with low torque, take particular care at ends of the boards.
- Ensure the head of the screw finishes flush with board surface.
- Fasteners in low corrosion areas should have galvanised coating or equivalent. In high corrosion areas we recommend stainless steel fasteners.
- Fasteners must be installed perpendicular to the board face i.e. do not skew fix.
- Use only fixings which comply with Australian Standards.
- ModWood must not be used as part of the frame or used as a structural element.

### Vertical upright (post)

Uprights must be rigid and fixed at base eg. min 65 x 65mm steel or 90 x 90mm timber.

Do not use ModWood for the upright.

Posts must be installed perpendicular, parallel and square to each other - and must have sufficient rigidity to remain so during service.

Note: Footings should be as per local council regulations.

**Please note:** Due to the moisture normalisation of the wood fibres in the product, ModWood screens can in some circumstances show some deflection between the uprights.

**+ 68 x 17mm may be installed at 1200 mm centres on a continuous span, however it will show increased deflection.**